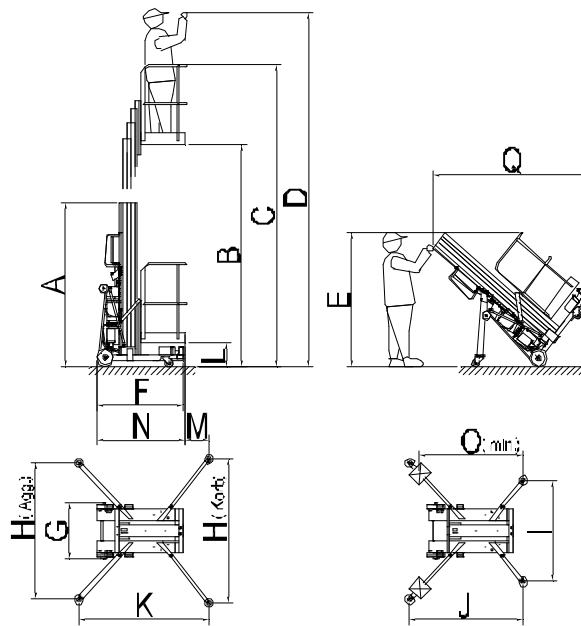


ALP-Personnel-Lifts PH-Series

as at 07/2010



	Notes \ Type		1300	1400
D	Working height	m	12,75	14,00
B	Platform height	m	10,75	12,00
	Platform capacity	kg	135	115
A	Height	m	2,30	2,77
G	Width	m	0,77	0,77
N	Length	m	1,44	1,44
Q	Tipped Length	m	2,40	2,85
E	Tipped height	m	1,98	1,95
H x K	Outrigger footprint insider	m x m	2,18 x 2,17	2,29 x 2,25
H x K	Outrigger footprint insider with ballast weights	m x m	1,81 x 1,85	2,04 x 2,05
H x K	Outrigger footprint outside	m x m	3,67 x 3,47	3,90 x 3,67
I x J	Outrigger footprint outside in wall application	m x m	2,18 x 2,85	2,29 x 3,00
M	Wall distance	cm	40	45
	Approx. extension speed	sec	35	40
	Deadweight (without ballast weights)	kg	394	430
	Deadweight (with ballast weights)	kg	478	514

All rights reserved for changes in dimensions and construction!