

# Trailer Crane AHK Easyline



## Technical Data

Permissible gross vehicle weight (t)	3,5
Max. payload (kg)	1.200
Max. extension length (m)	26,5
Working height up to boom (m)	20,2
Boom extendable (m)	4,4 / 7,1
Boom payload (kg)	1.200 / 300 (horizontal)
Main mast angle (degrees)	85
Boom angle (degrees)	135 / 150 / 165
Pivoting range (degrees)	+/- 310
Hook speed (m/min)	40
Range for crane operation at 250 kg (m)	18,8
Range for crane operation at 500 kg (m)	11,5
Range for crane operation at 800 kg (m)	7,6
Range for crane operation at 1 t (m)	5,3
Range for crane operation at 1,5 t (m)	-
Range for crane operation at 2 t (m)	-
Range for platform operation at 250 kg (m)	-
Range for platform operation at 100 kg (m)	-
Working height in platform operation max. (m)	-

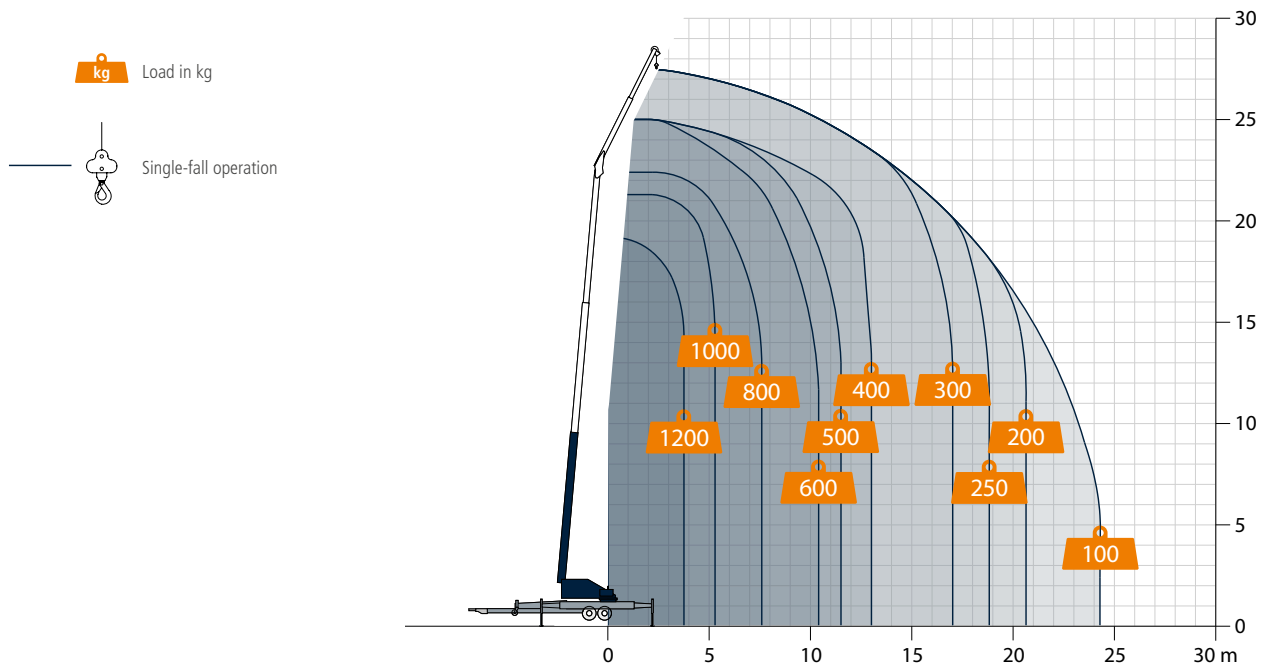
All rights reserved for changes. All specified values are maximum values.

The AHK Easyline is our price-performance all-rounder. Due to its double extension boom, the smallest of our trailer-mounted cranes can reach an extension length of 27 m and lift up to 1200 kg. Thanks to our high-performance Honda petrol engine, it can also be easily telescoped when working at flat boom angles.

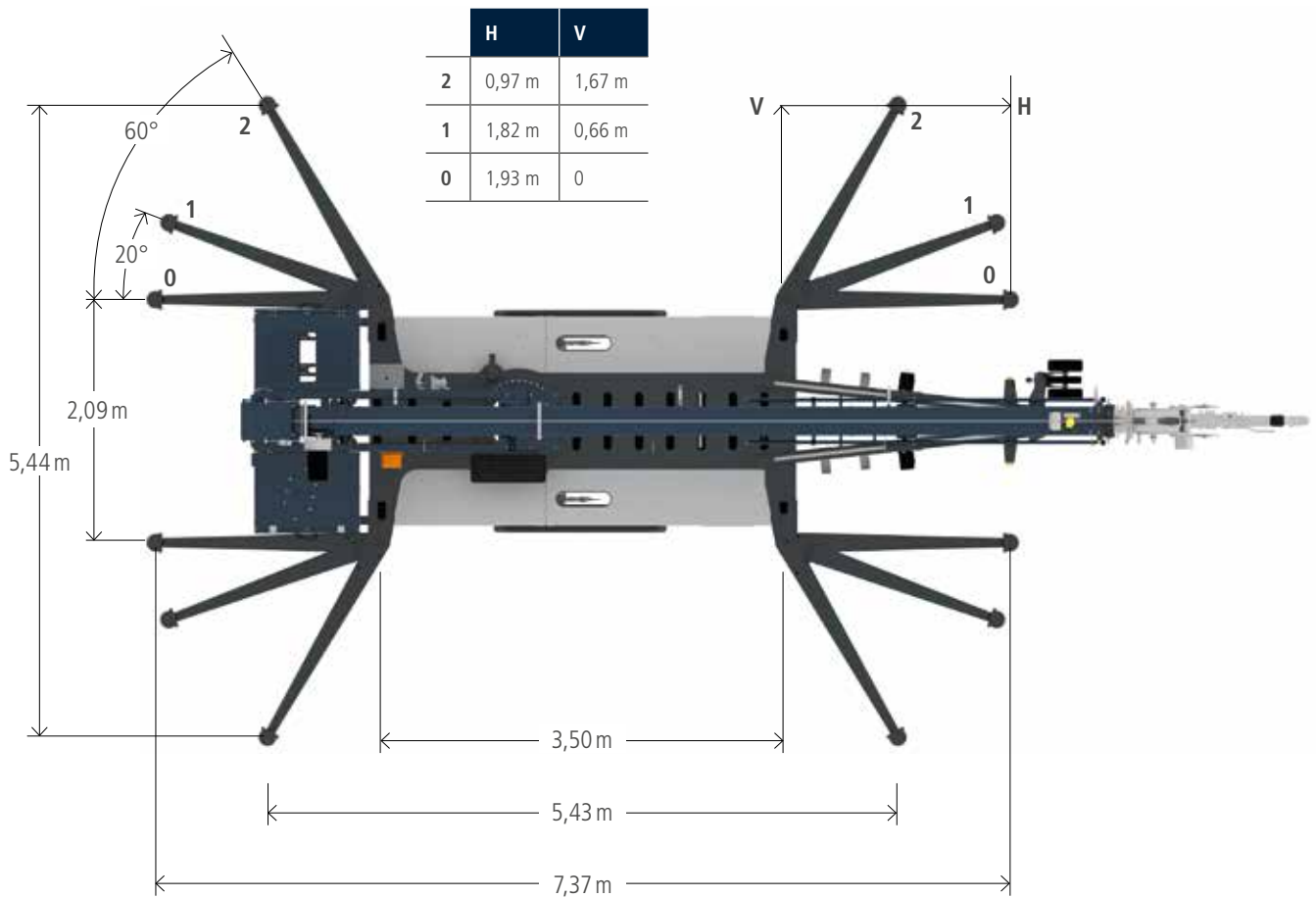
The AHK Easyline provides you with this fantastic performance data weighing just 3.5 tonnes. Consequently it can also be transported in a suitable car. The AHK Easyline is equipped as standard with fully variable outrigger control and a manoeuvring drive for the best possible flexibility.

**Böcker**  
MY WAY TO THE TOP

## Working range crane operation



Dimensions



All weights are in kg.  
Measurements can fluctuate slightly.

**Böcker**

[www.boecker.de](http://www.boecker.de)

**Boecker UK Limited**

Grazebrook Industrial Park  
Hulbert Drive · Dudley  
West Midlands UK-DY2 0XW

Fon +44 (0)1384 476580  
[info@boecker.co.uk](mailto:info@boecker.co.uk)