

# Trailer Crane AHK 30/1500 KS

## AHK 30/1500



### Technical Data

Permissible gross vehicle weight (t)	3,5
Max. payload (kg)	1.500
Max. extension length (m)	30,0
Working height up to boom (m)	22,4
Boom extendable (m)	4,8 / 7,4 / 9,1
Boom payload (kg)	1.500 / 350 / 250 (horizontal)
Main mast angle (degrees)	85
Boom angle (degrees)	158
Pivoting range (degrees)	+/- 310
Hook speed (m/min)	50
Range for crane operation at 250 kg (m)	21,1
Range for crane operation at 500 kg (m)	13,9
Range for crane operation at 800 kg (m)	9,5
Range for crane operation at 1 t (m)	8,1
Range for crane operation at 1,5 t (m)	3,6
Range for crane operation at 2 t (m)	-
Range for platform operation at 250 kg (m)	-
Range for platform operation at 100 kg (m)	-
Working height in platform operation max. (m)	-

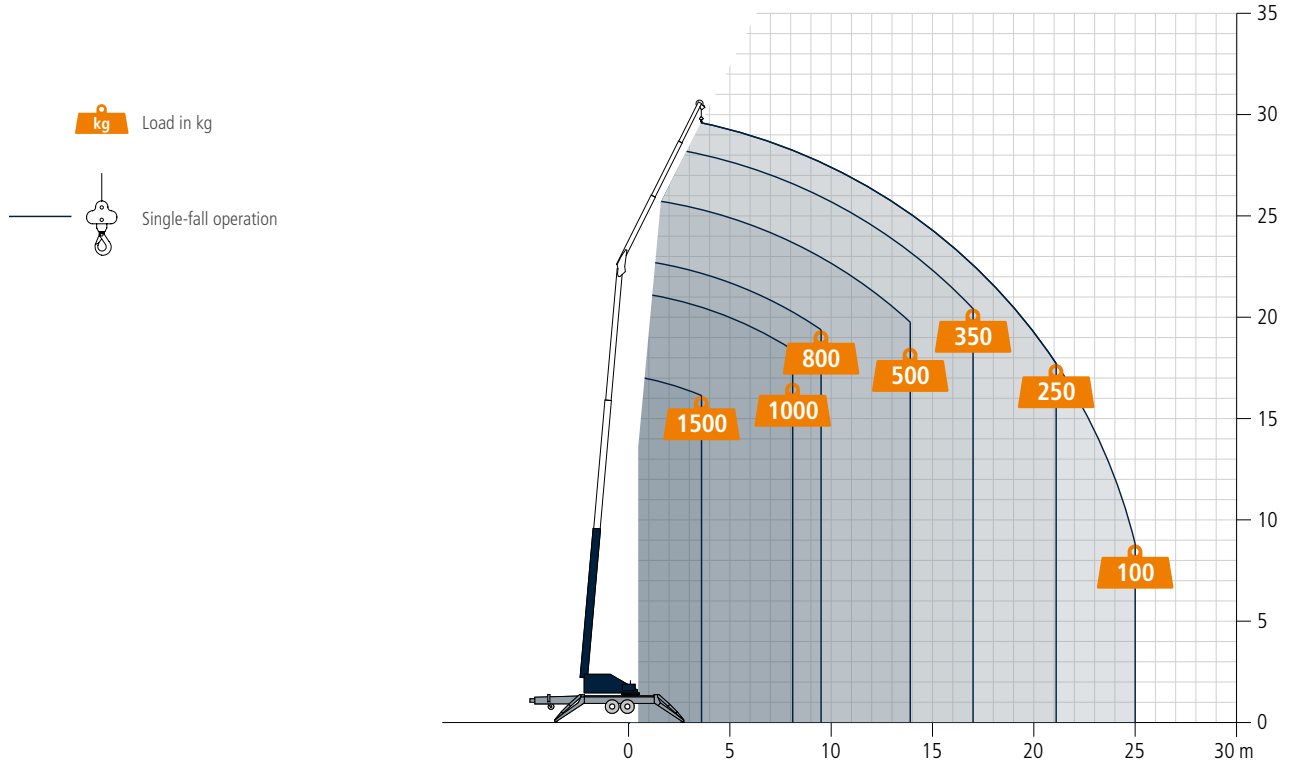
All rights reserved for changes. All specified values are maximum values.

Using the AHK 30/1500 KS and AHK 30/1500 you benefit from maximum flexibility and greater range with surpassing efficiency. Furthermore the KS version impresses particularly by its space-saving swivelling drawbar and the extremely versatile foldable swivelling outriggers that enables a ground clearance of up to 50 cm.

All four outriggers can be set up independently in various angles, which is why the AHK 30/1500 KS can be easily installed and safely used even in cramped building site situations. The tandem-axle chassis ensures perfect floor-load distribution. Both models are available with auto-levelling and automatic dismantling function (standard on AHK 30/1500 KS).

**Böcker**  
MY WAY TO THE TOP

## Working range crane operation



## AHK 30/1500



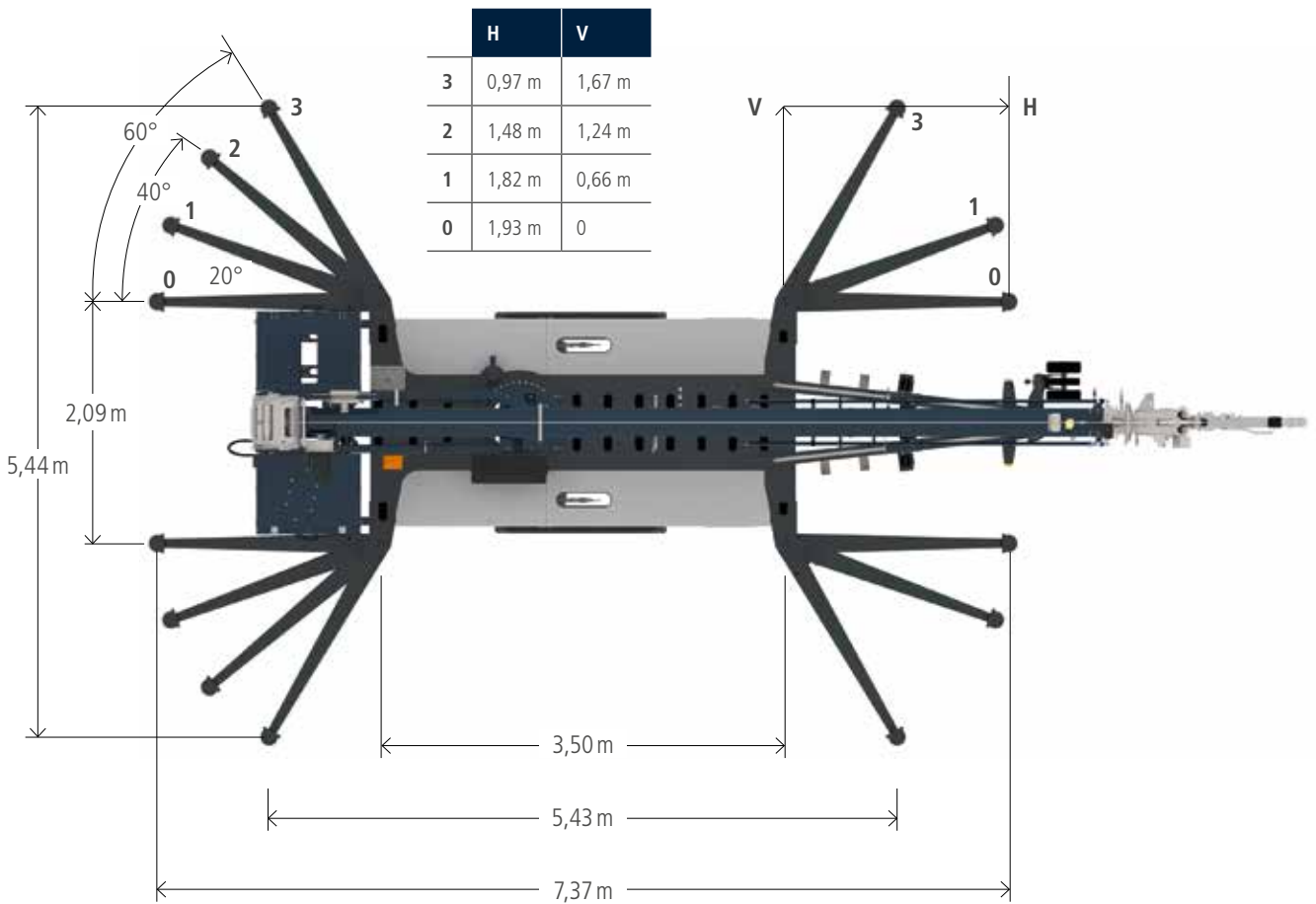
## AHK 30/1500 KS

with swivelling drawbar and  
foldable swivelling outriggers



# Dimensions

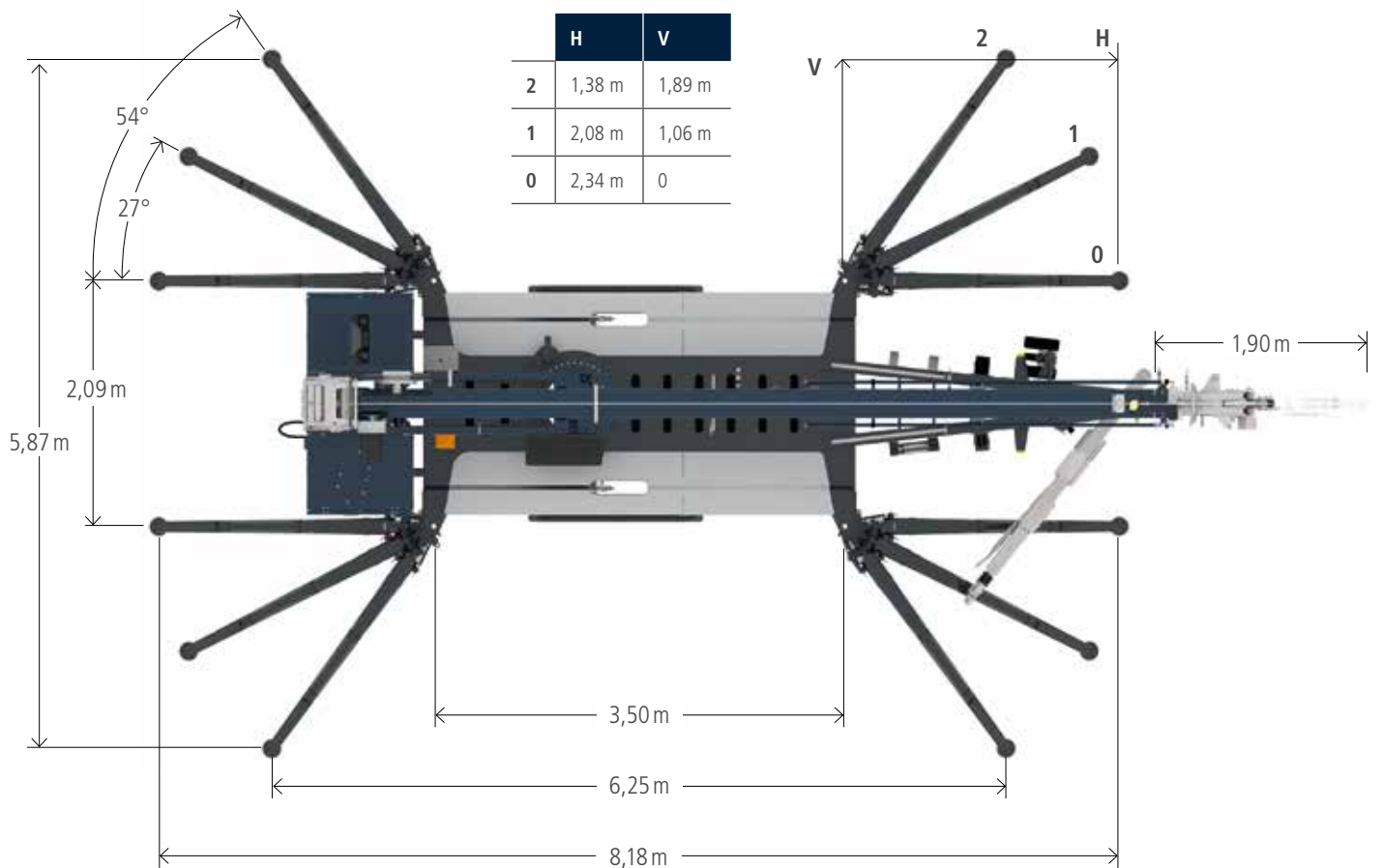
AHK 30/1500



All weights are in kg.  
Measurements can fluctuate slightly.

## Dimensions

AHK 30/1500 KS with swivelling drawbar and foldable swivelling outriggers



**Böcker**

[www.boecker.de](http://www.boecker.de)

**Boecker UK Limited**

Grazebrook Industrial Park  
Hulbert Drive · Dudley  
West Midlands UK-DY2 0XW

Fon +44 (0)1384 476580  
info@boecker.co.uk